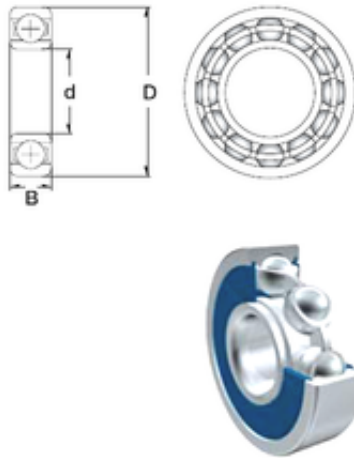


95 mm x 170 mm x 32 mm ZEN 6219-2RS deep groove ball bearings



Bearing No. 6219-2RS

Size	95x170x32 mm
Bore Diameter	95 mm
Outer Diameter	170 mm
Width	32 mm
d	95 mm
D	170 mm
B	32 mm
C	32 mm
Weight	2,79 Kg
Basic dynamic load rating (C)	108 kN
Basic static load rating (C0)	81,5 kN

6219-2RS Bearing 2D drawings and 3D CAD models