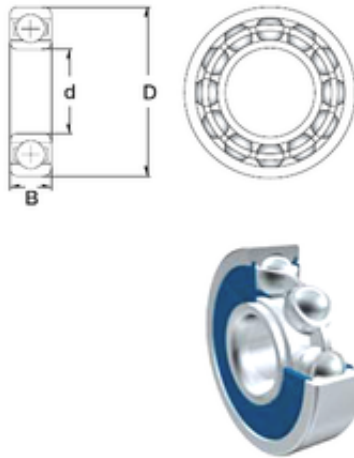


50 mm x 80 mm x 16 mm ZEN 6010-2RS deep groove ball bearings



Bearing No. 6010-2RS

Size	50x80x16 mm
Bore Diameter	50 mm
Outer Diameter	80 mm
Width	16 mm
d	50 mm
D	80 mm
B	16 mm
C	16 mm
Weight	0,261 Kg
Basic dynamic load rating (C)	21,8 kN
Basic static load rating (C0)	16,6 kN

6010-2RS Bearing 2D drawings and 3D CAD models