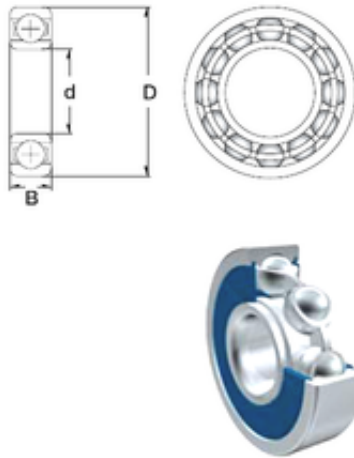


130 mm x 165 mm x 18 mm ZEN S61826-2RS deep groove ball bearings



Bearing No. S61826-2RS

Size	130x165x18 mm
Bore Diameter	130 mm
Outer Diameter	165 mm
Width	18 mm
d	130 mm
D	165 mm
B	18 mm
C	18 mm
Basic dynamic load rating (C)	38 kN
Basic static load rating (C0)	43 kN
(Grease) Lubrication Speed	3600 r/min

S61826-2RS Bearing 2D drawings and 3D CAD models