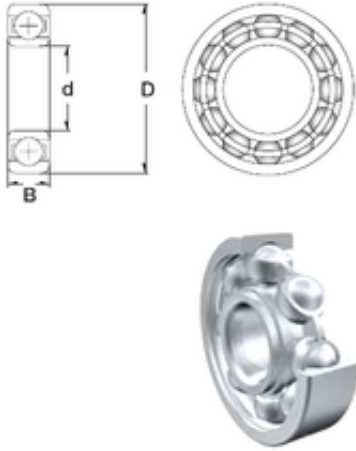


4 mm x 8 mm x 2 mm ZEN MR84 deep groove ball bearings



Bearing No. MR84

Size	4x8x2 mm
Bore Diameter	4 mm
Outer Diameter	8 mm
Width	2 mm
d	4 mm
D	8 mm
B	2 mm
C	2 mm
Basic dynamic load rating (C)	0,395 kN
Basic static load rating (C0)	0,141 kN
(Grease) Lubrication Speed	56000 r/min

MR84 Bearing 2D drawings and 3D CAD models