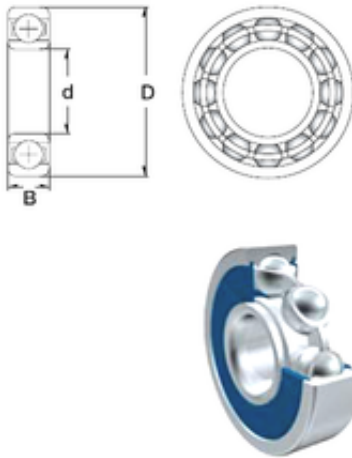


## 40 mm x 90 mm x 33 mm ZEN 62308-2RS deep groove ball bearings



Bearing No. 62308-2RS

Size	40x90x33 mm
Bore Diameter	40 mm
Outer Diameter	90 mm
Width	33 mm
d	40 mm
D	90 mm
B	33 mm
C	33 mm
Weight	0,89 Kg
Basic dynamic load rating (C)	41 kN
Basic static load rating (C0)	24 kN

62308-2RS Bearing 2D drawings and 3D CAD models