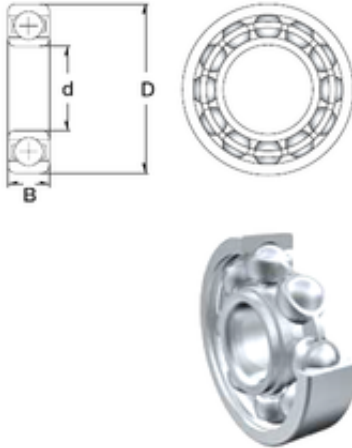


## 5 mm x 9 mm x 3 mm ZEN SMR95-2TS deep groove ball bearings



Bearing No. SMR95-2TS

Size	5x9x3 mm
Bore Diameter	5 mm
Outer Diameter	9 mm
Width	3 mm
d	5 mm
D	9 mm
B	3 mm
C	3 mm
Basic dynamic load rating (C)	0,431 kN
Basic static load rating (C0)	0,169 kN

SMR95-2TS Bearing 2D drawings and 3D CAD models