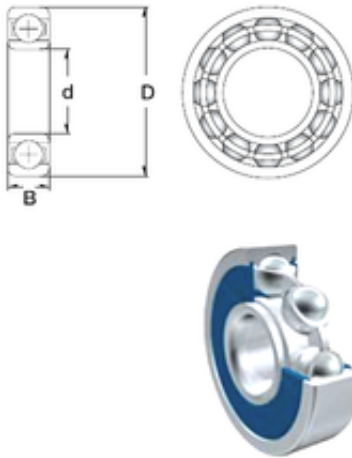


## 85 mm x 120 mm x 18 mm ZEN S61917-2RS deep groove ball bearings



Bearing No. S61917-2RS

Size	85x120x18 mm
Bore Diameter	85 mm
Outer Diameter	120 mm
Width	18 mm
d	85 mm
D	120 mm
B	18 mm
C	18 mm
Basic dynamic load rating (C)	31,9 kN
Basic static load rating (C0)	29,6 kN
(Grease) Lubrication Speed	5300 r/min

S61917-2RS Bearing 2D drawings and 3D CAD models