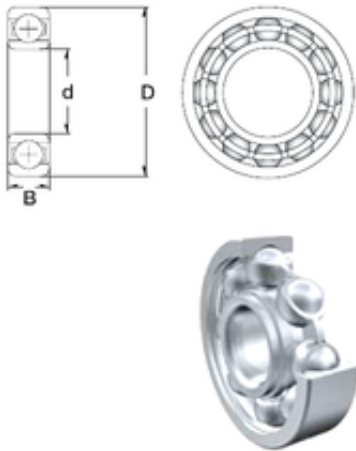


7 mm x 19 mm x 6 mm ZEN S607-2Z deep groove ball bearings



Bearing No. S607-2Z

Size	7x19x6 mm
Bore Diameter	7 mm
Outer Diameter	19 mm
Width	6 mm
d	7 mm
D	19 mm
B	6 mm
C	6 mm
Basic dynamic load rating (C)	2,336 kN
Basic static load rating (C0)	0,896 kN

S607-2Z Bearing 2D drawings and 3D CAD models