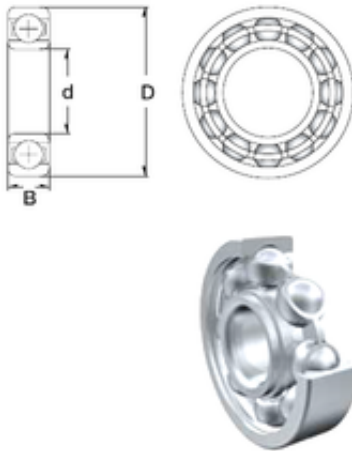


65 mm x 100 mm x 18 mm ZEN S6013 deep groove ball bearings



Bearing No. S6013

Size	65x100x18 mm
Bore Diameter	65 mm
Outer Diameter	100 mm
Width	18 mm
d	65 mm
D	100 mm
B	18 mm
C	18 mm
Weight	0,44 Kg
Basic dynamic load rating (C)	30,7 kN

S6013 Bearing 2D drawings and 3D CAD models