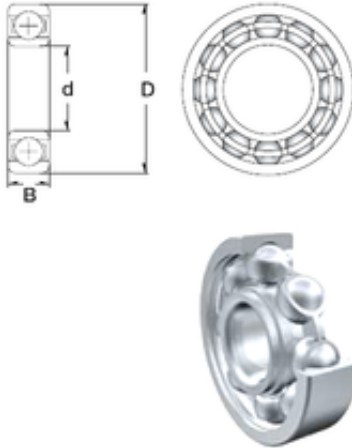


120 mm x 165 mm x 22 mm ZEN 61924 deep groove ball bearings



Bearing No. 61924

Size	120x165x22 mm
Bore Diameter	120 mm
Outer Diameter	165 mm
Width	22 mm
d	120 mm
D	165 mm
B	22 mm
C	22 mm
Basic dynamic load rating (C)	55,3 kN
Basic static load rating (C0)	57 kN
(Grease) Lubrication Speed	3600 r/min

61924 Bearing 2D drawings and 3D CAD models