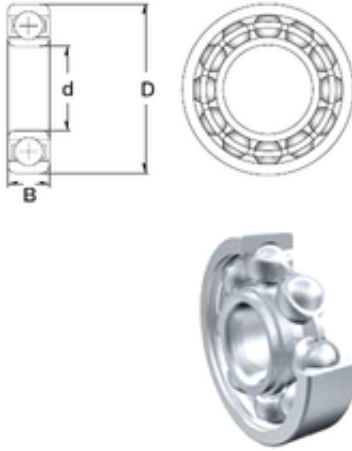


12,7 mm x 33,338 mm x 9,525 mm ZEN SRLS4
deep groove ball bearings



Bearing No. SRLS4

Size	12.7x33.338x9.525 mm
Bore Diameter	12,7 mm
Outer Diameter	33,338 mm
Width	9,525 mm
d	12,7 mm
D	33,338 mm
B	9,525 mm
C	9,525 mm
Basic dynamic load rating (C)	6,95 kN
Basic static load rating (C0)	3,22 kN
(Grease) Lubrication Speed	21000 r/min

SRLS4 Bearing 2D drawings and 3D CAD models