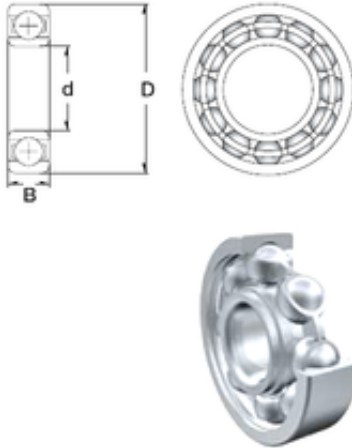


800 mm x 980 mm x 82 mm ZEN 618/800 deep groove ball bearings



Bearing No. 618/800

Size	800x980x82 mm
Bore Diameter	800 mm
Outer Diameter	980 mm
Width	82 mm
d	800 mm
D	980 mm
B	82 mm
C	82 mm
Basic dynamic load rating (C)	550 kN
Basic static load rating (C0)	1270 kN
(Grease) Lubrication Speed	1300 r/min

618/800 Bearing 2D drawings and 3D CAD models