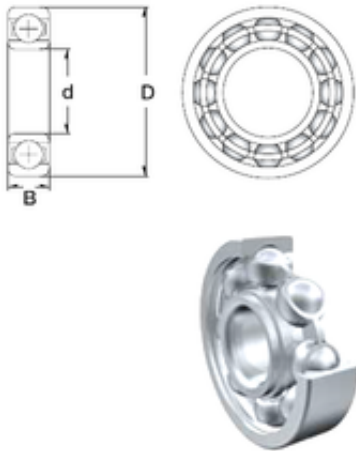


6 mm x 12 mm x 4 mm ZEN MR126-2Z deep groove ball bearings



Bearing No. MR126-2Z

Size	6x12x4 mm
Bore Diameter	6 mm
Outer Diameter	12 mm
Width	4 mm
d	6 mm
D	12 mm
B	4 mm
C	4 mm
Basic dynamic load rating (C)	0,716 kN
Basic static load rating (C0)	0,295 kN

MR126-2Z Bearing 2D drawings and 3D CAD models