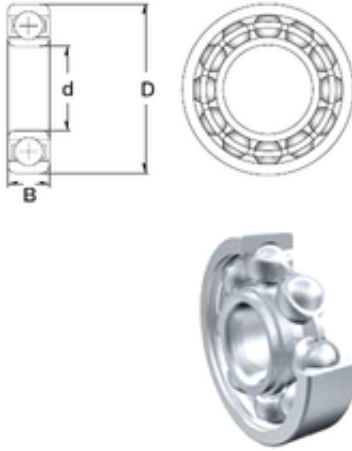


35 mm x 100 mm x 25 mm ZEN 6407 deep groove ball bearings



Bearing No. 6407

Size	35x100x25 mm
Bore Diameter	35 mm
Outer Diameter	100 mm
Width	25 mm
d	35 mm
D	100 mm
B	25 mm
C	25 mm
Weight	0,95 Kg
Basic dynamic load rating (C)	55,2 kN
Basic static load rating (C0)	31,5 kN

6407 Bearing 2D drawings and 3D CAD models