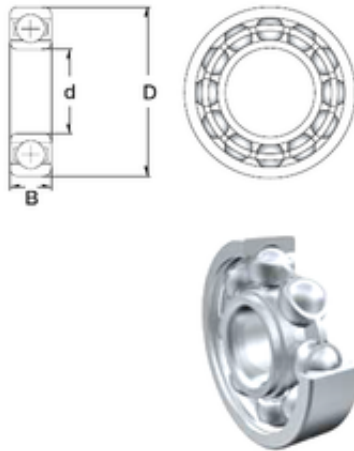


25 mm x 52 mm x 15 mm ZEN S6205 deep groove ball bearings



Bearing No. S6205

Size	25x52x15 mm
Bore Diameter	25 mm
Outer Diameter	52 mm
Width	15 mm
d	25 mm
D	52 mm
B	15 mm
C	15 mm
Weight	0,13 Kg
Basic dynamic load rating (C)	14 kN

S6205 Bearing 2D drawings and 3D CAD models