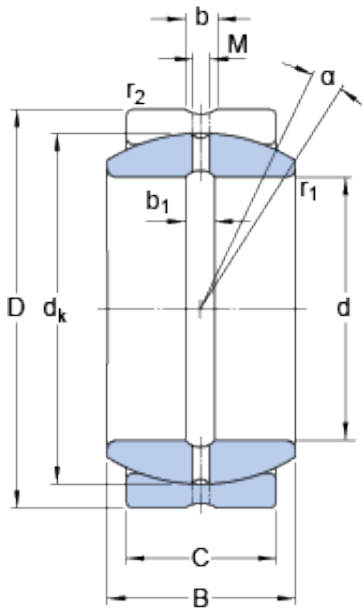


40 mm x 62 mm x 28 mm skf ge 40 es bearing

Bearing No. ge 40 es



ge 40 es Bearing 2D drawings and 3D CAD models

| | |
|---|-----------------------|
| Size | 62x40x28 mm |
| Bore Diameter | 62 mm |
| Outer Diameter | 40 mm |
| Width | 28 mm |
| d | 40 mm |
| D | 62 mm |
| B | 28 mm |
| C | 22 mm |
| | 7 ° |
| d _k | 53 mm |
| b | 3.9 mm |
| b ₁ | 3.9 mm |
| M | 2.5 mm |
| r ₁ - min. | 0.6 mm |
| r ₂ - min. | 1 mm |
| d _a - min. | 43.6 mm |
| d _a - max. | 45 mm |
| D _a - min. | 50.3 mm |
| D _a - max. | 57.8 mm |
| r _a - max. | 0.6 mm |
| r _b - max. | 1 mm |
| Basic dynamic load rating - C | 100 kN |
| Basic static load rating - C ₀ | 500 kN |
| Specific factor dinamic load - K | 100 N/mm ² |
| | |



PRECISION BEARING CORP.

| | |
|-------------------------------------|---|
| Specific factor static load - K_0 | 500 N/mm ² |
| Constant - K_M | 330 |
| Category | Spherical Plain Bearings - Radial |
| Inventory | 0.0 |
| Manufacturer Name | SKF |
| Minimum Buy Quantity | N/A |
| Weight / Kilogram | 0.321 |
| EAN | 7316576609367 |
| Product Group | B04264 |
| Self Aligning | Yes |
| Rolling Element | Spherical Plain |
| Material - Outer Member | Steel |
| Material - Ball | Steel |
| Material - Liner | Not Applicable |
| Relubricatable | Yes |
| Enclosure | Open |
| Other Features | 2 Piece Lubrication Hole and an Annular Groove in Both Rings |
| Long Description | 40MM Bore; 22MM Housing Width; 62MM Outside Diameter; Spherical Plain; Steel Outer Member; Steel Ball; No Liner; 28MM Overall Width; Relubricatable |
| Inch - Metric | Metric |
| Category | Plain Bearings Spherical Radial |
| UNSPSC | 31171515 |
| Harmonized Tariff Code | 8483.30.80.70 |
| Noun | Bearing |
| Keyword 3 | Spherical |
| | |



PRECISION BEARING CORP.

| | |
|--|---|
| Keyword String | Plain Spherical Radial |
| Manufacturer URL | http://www.skf.com |
| Manufacturer Item Number | GE 40 ES |
| Weight / LBS | 0.705 |
| Overall Width | 1.102 Inch 28 Millimeter |
| Housing Width | 0.866 Inch 22 Millimeter |
| Bore | 1.575 Inch 40 Millimeter |
| Outside Diameter | 2.441 Inch 62 Millimeter |
| bore diameter: | 40 mm |
| inner ring material: | Chrome Steel |
| outside diameter: | 62 mm |
| outer ring width: | 22 mm |
| misalignment angle: | 7 ° |
| grade: | Commercial/Industrial |
| inner ring width: | 28 mm |
| overall width: | 28 mm |
| bearing type: | Radial |
| radial static load capacity: | 500 kN |
| lubrication type: | Requires Lubrication |
| radial dynamic load capacity: | 100 kN |
| closure type: | Open |
| operating temperature range: | -50 to +200 ° C ° F |
| outer ring material: | Chrome Steel |
| manufacturer upc number: | 7316576609367 |
| Lubricant | Regular relubrication – grease |
| Design (sliding contact surface combination) | Steel/steel |
| Sealing solution | - |
| | 7 ° |
| d _k | 53 mm |
| | |

PRECISION BEARING CORP.

| | |
|-----------------------------------|-----------------------|
| b_1 | 3.9 mm |
| r_1 min. | 0.6 mm |
| r_2 min. | 1 mm |
| d_a min. | 43.6 mm |
| d_a max. | 45 mm |
| D_a min. | 50.3 mm |
| D_a max. | 57.8 mm |
| r_a max. | 0.6 mm |
| r_b max. | 1 mm |
| Basic dynamic load rating C | 100 kN |
| Basic static load rating C_0 | 500 kN |
| Specific dynamic load factor K | 100 N/mm ² |
| Specific static load factor K_0 | 500 N/mm ² |
| Material constant K_M | 330 |
| Mass plain bearing | 0.32 kg |