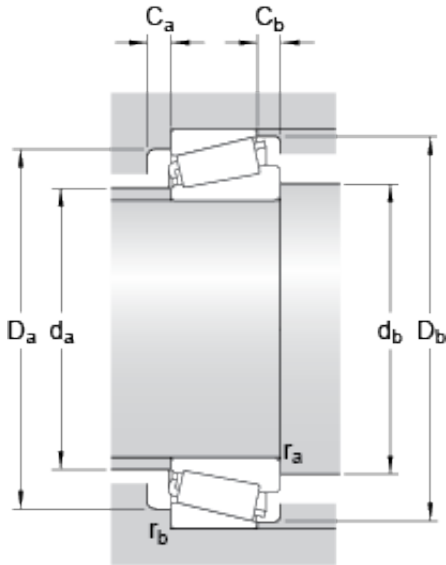


## 45 mm x 100 mm x 25 mm skf 31309 bearing

Bearing No. 31309



31309 Bearing 2D drawings and 3D CAD models

Dimension series	7FB
$d$	45 mm
$D$	100 mm
$T$	27.25 mm
$d_1$	74.7 mm
$B$	25 mm
$C$	18 mm
$r_{1,2} \text{ min.}$	2 mm
$r_{3,4} \text{ min.}$	1.5 mm
$a$	31.023 mm
$d_a \text{ max.}$	57 mm
$d_b \text{ min.}$	55 mm
$D_a \text{ min.}$	79 mm
$D_a \text{ max.}$	92 mm
$D_b \text{ min.}$	95 mm
$C_a \text{ min.}$	4 mm
$C_b \text{ min.}$	9 mm
$r_a \text{ max.}$	2 mm
$r_b \text{ max.}$	1.5 mm
Basic dynamic load rating $C$	113 kN
Basic static load rating $C_0$	102 kN
Fatigue load limit $P_u$	12.5 kN
Reference speed	5000 r/min
Limiting speed	6700 r/min
Calculation factor $e$	0.83
Calculation factor $Y$	0.72



## PRECISION BEARING CORP.

Calculation factor $Y_0$	0.4
Mass bearing	0.95 kg